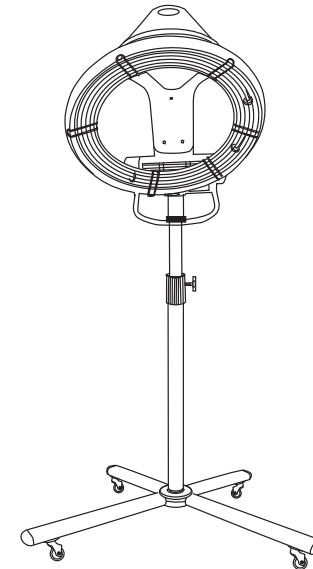




FUTURA

INFRARED HAIR COLOR PROCESSOR
DRYER ACCELERATOR

MODEL: ZHI-DRY-3501



**Thank you very much for purchasing our product.
Please read our user manual carefully prior to use.**

CONTACT US

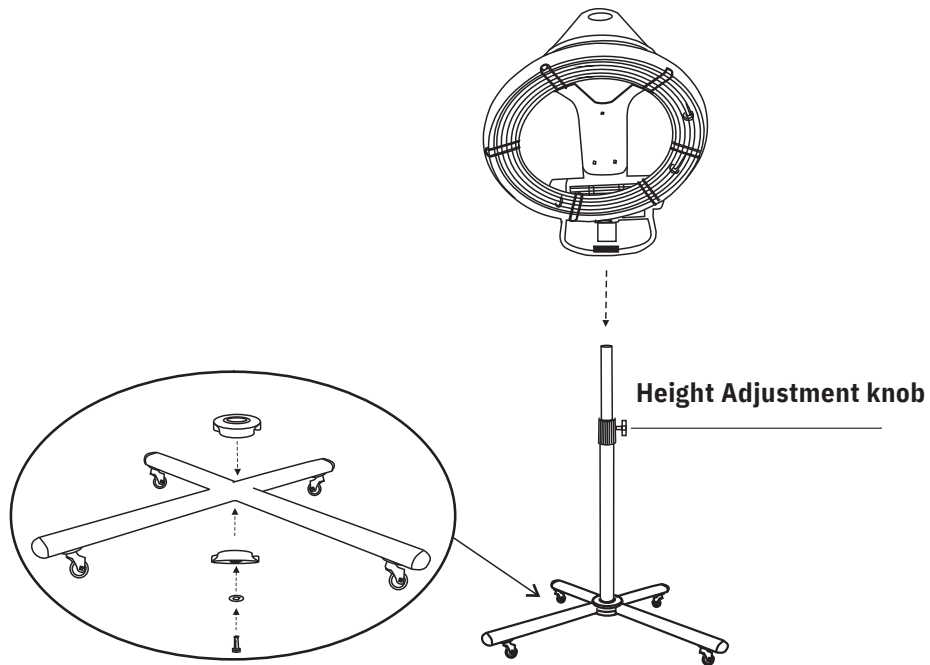
☎ 972-926-6488

✉ service@aycllc.com

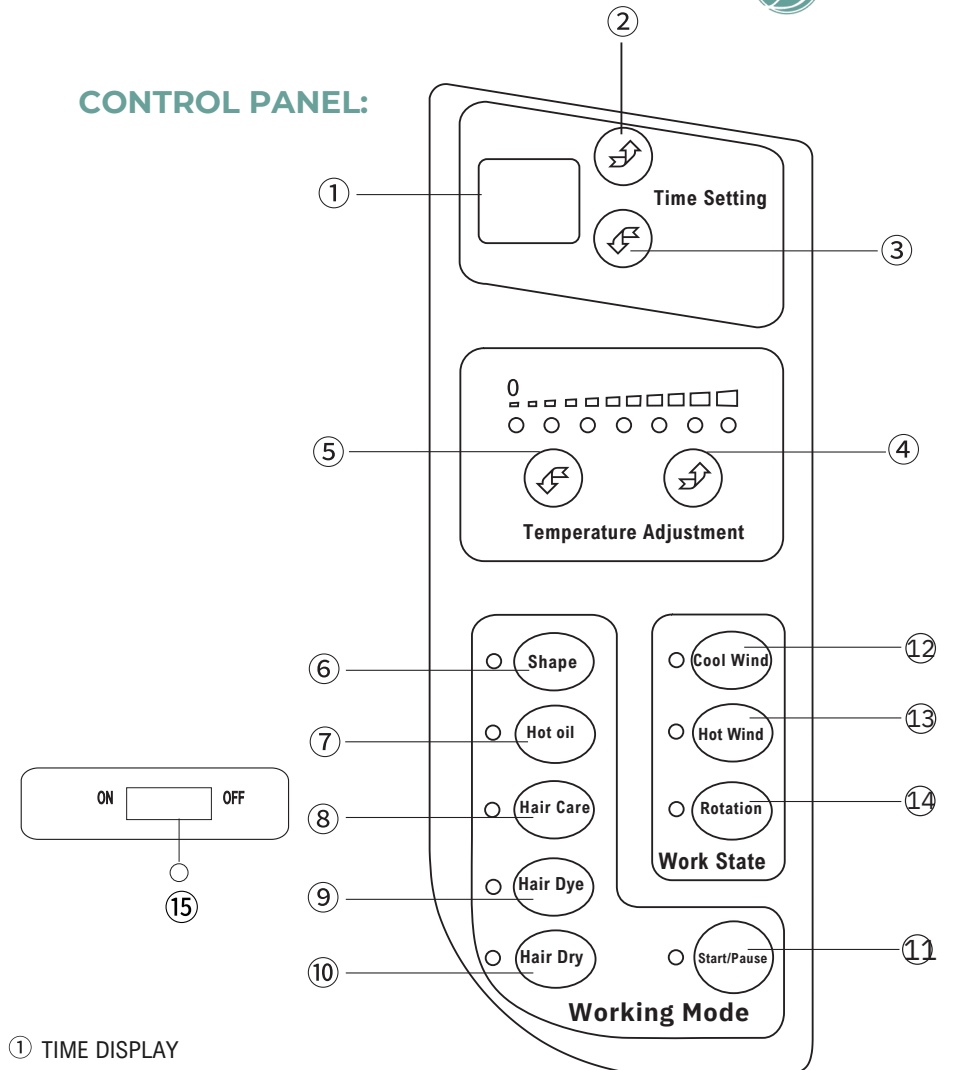
🌐 www.aycllc.com

INSTALLATION OF STAND AND BASE

1. Assemble the stand as illustrated below.
2. Place the machine onto the stand, and adjust it to desired height.



CONTROL PANEL:



- ① TIME DISPLAY
- ② Press once, time increases minute by minute up to 60.
- ③ Press once, time decreases a minute down to 1 minute.
- ④ Press once, temperature increases up a level
- ⑤ Press once, temperature decreases by a level
- ⑥⑦⑧⑨⑩ Five different functions to choose from.
- ⑪ START/PAUSE: Press once to start operation, press again to pause the operation.
- ⑫ COOL WIND: This key controls the fan behind neck position.
- ⑬ HOT WIND: This key provides selection from cool to hot wind.
- ⑭ ROTATION: Controls the circular heating element from going around to being still.
- ⑮ MAIN POWER SWITCH: Switch for the machine's main power supply. Please turn off if device is not in use.

OPERATION MODES

MODE	Application	Operation Status				
		Temperature	Time (min)	Fan	Hot Wind	Rotation
Shape	Adjust time and temperature according to type of hair, specification of products used and technical requirement.	2	28	Off	Off	On
		May operate under manual mode if requires				
Hot Oil	Adjust time and temperature according to type of skin, specification of products used and technical requirement.	4	20	Off	Off	On
		May operate under manual mode if requires				
Hair Care	Adjust time and temperature according to type of hair and shampoo.	3	15	Off	Off	On
		May operate under manual mode if requires				
Hair Dye	In use with partially styling and acid type coloring products.	5	08	Off	Off	On
		May operate under manual mode if requires				
Hair Dry	Selected when drying ordinary natural hair.	4	13	On	On	On
		May operate under manual mode if requires				

CAUTION:

- Do not touch the surface or the safety net on the circular heating element, as tremendous heat will be produced during operation
- A grounding wire must be connected to the wall power supply
- Machine must be serviced or repaired by a certified technician or technician from our authorized dealer. Repaired machine must be fully inspected in order to meet safety stands before use.
- In the case where the wire is damaged or aged, new 53 (RVV) 3*0.75mm² wire must be replaced by a certified technician from our authorized dealer.

TROUBLE SHOOTING

Status	Reason	Solution
Circular heating element does not rotate at all	1. Rotation function is not chosen 2. Connector between motor and rotor became loose	1. Press the ROTATION Key 2. Open the back-cover and tighten the connector
Circular heating element does not rotate regularly	1. Connector between motor and rotor became loose. 2. Motor cannot be stopped	1. Open the back-cover and tighten the connector 2. Replace the optical sensor/positioning strip
Heating element does not produce heat	1. Heating function is not chosen 2. Connector between motor and rotor became loose.	1. Adjust temperature to non-zero status. 2. Open the back-cover and tighten the connector.

OPERATING MANUAL

1. Plug the machine into a power supply, turn the Main Power Switch on.
 - When "00" is displayed on the time display window, it means that the machine is ready for operation.
 - When the circular heating element is not in its initial position, it will return to its default place.
2. Operating procedure:
 - Choose the function you need, and indicator will light up beside chosen function.
 - Press START/PAUSE button to start the operation.
 - The circular heating element shall operate under chosen option.
 - Time and temperature can be adjusted if needed.
3. During operation:
 - The indicator besides the START/PAUSE key will remain on.
 - The indicator besides the chosen function key will remain on.
 - Decimal point in the TIME DISPLAY window shall flash every second.
 - All operating modes can be switched from one to another during operation.
4. Pause Operation:
 - Press STOP/PAUSE to pause the operation.
 - The circular heating element will stop rotating.
5. Timer:
 - Buzzer will buzz for 5 times to indicate that operation is finished.
 - If the circular heating element is not at its initial position, please turn the machine off then on, it shall return to its default position.
6. Please unplug the machine after use.

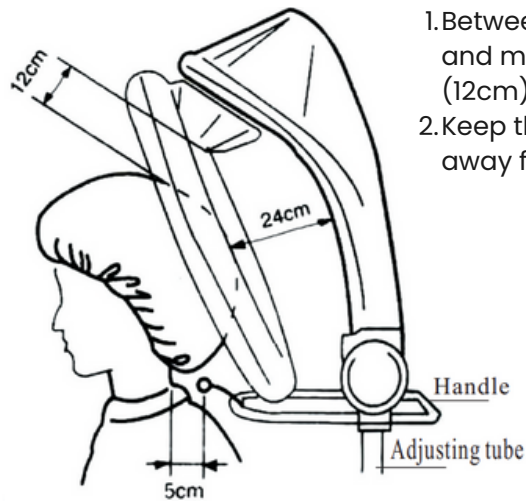
ILLUSTRATION

STEP 1



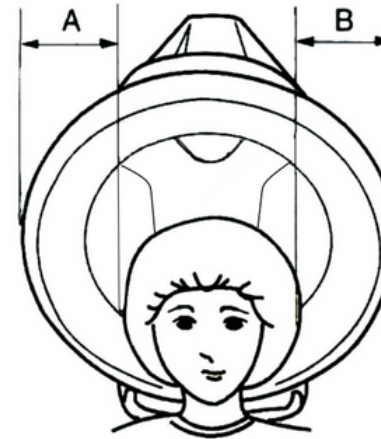
1. Set height by adjusting the supporting tube to place the rubber piece behind client's neck.
2. Keep the rubber piece about 2" (5cm) away from the back of client's neck

STEP 2



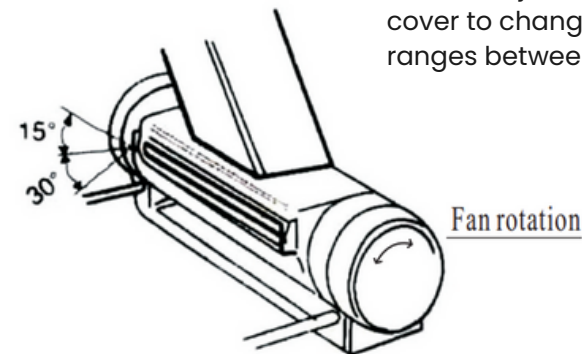
1. Between the top point of client's head and machine's rotation center, a 5" (12cm) distance should be reserved
2. Keep the rubber piece about 2" (5cm) away from the back of client's neck.

STEP 3



Keep distance A and B the same (as shown above), in order to keep client in the middle of the machine.

STEP 4



According to the length of client's hair, the angle of the fan behind the neck can be adjusted. Rotate the adjusting cover to change the angle, which ranges between 15 to 30 degrees.